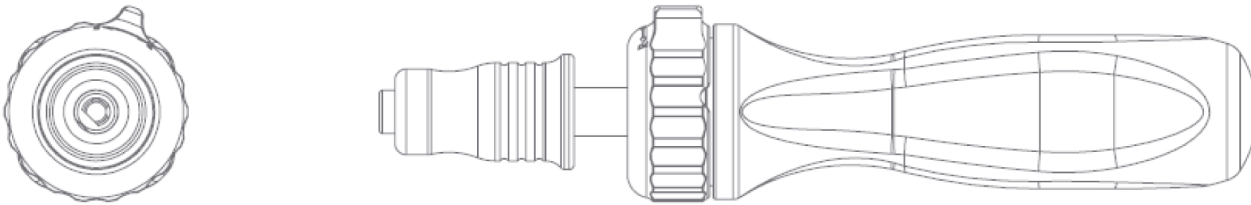


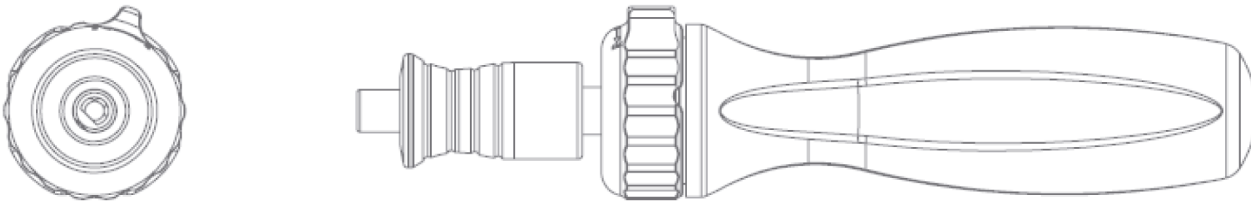
Silicone Ratchet Handles



MINI INLINE SILICONE RATCHET HANDLE

Catalog #	Description
RM0001	Ratchet, Mini Inline, Mini AO Push Coupling
RM0011*	Ratchet, Mini Inline, Mini AO Pull Coupling, Ø0.1 Cannulation
RM0211	Ratchet, Mini Inline, Mini AO Pull Coupling, Rear Spin Cap, Ø0.08 Cannulation

*Item shown



LONG INLINE SILICONE RATCHET HANDLE

Catalog #	Description
RML0001*	Ratchet, Long Mini Inline, Mini AO Push Coupling
RML0011	Ratchet, Long Mini Inline, Mini AO Pull Coupling, Ø0.1 Cannulation

*Item shown

US Customer Service

4532 Park 30 Drive
Columbia City, IN 46725
U.S.A.
tel +1 260-244-6300
fax +1 260-244-6345

orthopaedicsna@greatbatchmedical.com

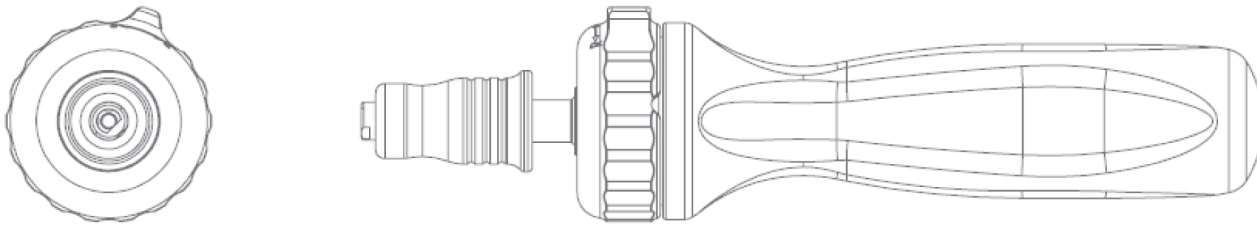
www.greatbatchmedical.com

Europe & Asia Customer Service

L'Echelette 7
2534 Orvin
Switzerland
tel +41 32 358 01 11
fax +41 32 358 01 00

orthopaedicseurope@greatbatchmedical.com

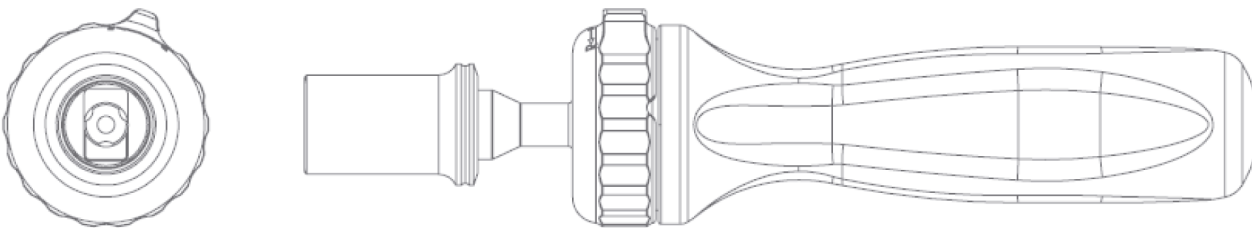
Silicone Ratchet Handles



STANDARD INLINE SILICONE RATCHET HANDLE

Catalog #	Description
RS0003	Ratchet, Standard Inline, 1/4" SQ Pull Coupling, Ø0.2 Cannulation
RS0007	Ratchet, Standard Inline, Large Hudson Pull Coupling, Ø0.2 Cannulation
RS0009	Ratchet, Standard Inline, Z-S-J-Hall [†] Pull Coupling, Ø0.2 Cannulation
RS0011*	Ratchet, Standard Inline, Mini AO Pull Coupling, Ø0.1 Cannulation

*Item shown; [†] Z-S-J-Hall = Zimmer-Stryker-Jacobs Hall

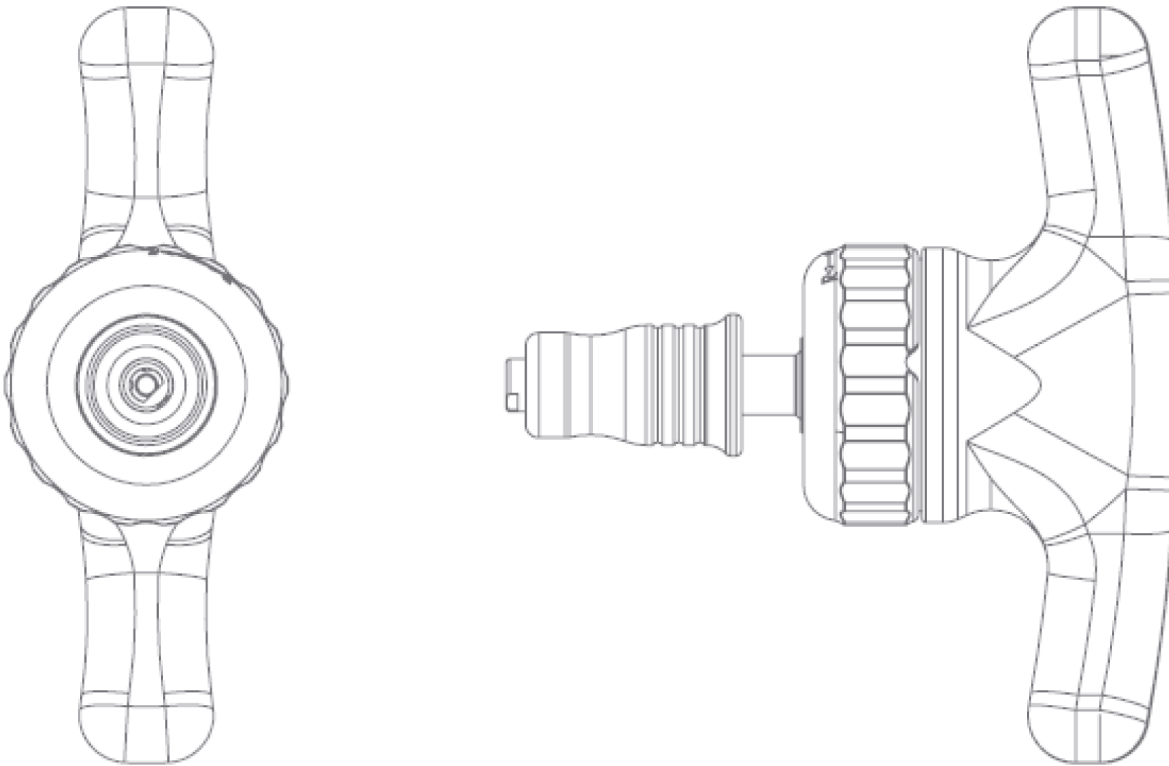


LARGE INLINE SILICONE RATCHET HANDLE

Catalog #	Description
RL0003	Ratchet, Large Inline, 1/4" SQ Pull Coupling, Ø0.2 Cannulation
RL0007*	Ratchet, Large Inline, Large Hudson Pull Coupling, Ø0.2 Cannulation
RL0009	Ratchet, Large Inline, Z-S-J-Hall [†] Pull Coupling, Ø0.2 Cannulation
RL0011	Ratchet, Large Inline, Mini AO Pull Coupling, Ø0.1 Cannulation

*Item shown; [†] Z-S-J-Hall = Zimmer-Stryker-Jacobs Hall

Silicone Ratchet Handles

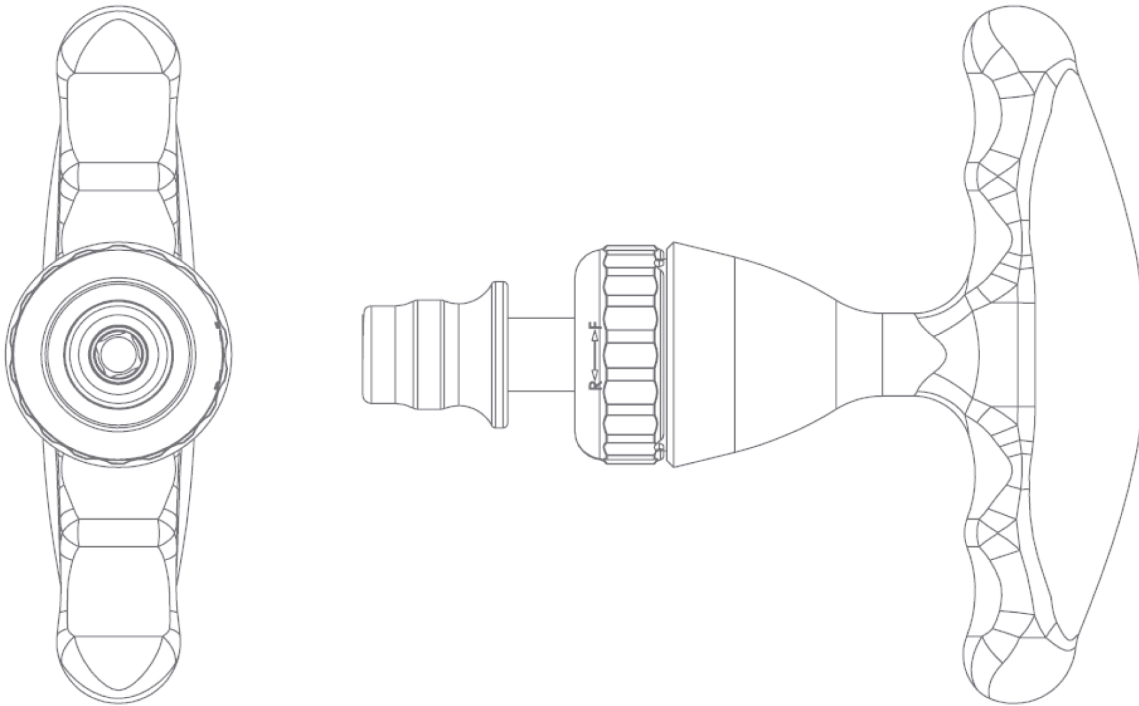


SHORT-T SILICONE RATCHET HANDLE

Catalog #	Description
RT0103	Ratchet, Short-T, 1/4" SQ Pull Coupling, Ø0.2 Cannulation
RT0107	Ratchet, Short-T, Large Hudson Pull Coupling, Ø0.2 Cannulation
RT0109	Ratchet, Short-T, Z-S-J-Hall [†] Pull Coupling, Ø0.2 Cannulation
RT0111*	Ratchet, Short-T, Mini AO Pull Coupling, Cannulation

*Item shown; [†] Z-S-J-Hall = Zimmer-Stryker-Jacobs Hall

Silicone Ratchet Handles

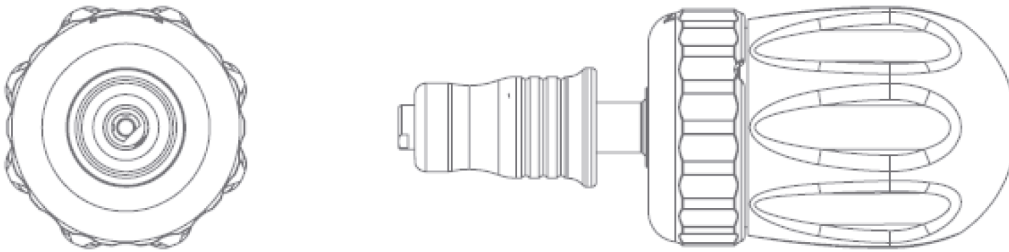


XLT120 SILICONE RATCHET HANDLE

Catalog #	Description
RX0003*	Ratchet, XLT120, 1/4" SQ Pull Coupling, Ø0.2 Cannulation
RX0007	Ratchet, XLT120, Large Hudson Pull Coupling, Ø0.2 Cannulation
RX0009	Ratchet, XLT120, Z-S-J-Hall† Pull Coupling, Ø0.2 Cannulation
RX0011	Ratchet, XLT120, Mini AO Pull Coupling, Cannulation

*Item shown; † Z-S-J-Hall = Zimmer-Stryker-Jacobs Hall

Silicone Ratchet Handles



PALM INLINE SILICONE RATCHET HANDLE

Catalog #	Description
RP0003	Ratchet, Palm, 1/4" SQ Pull Coupling, Ø0.2 Cannulation
RP0011*	Ratchet, Palm, Mini AO Pull Coupling, Ø0.1 Cannulation

*Item shown

Silicone Ratchet Handles

HOW TO SPECIFY A SILICONE HANDLE W/FIXED COUPLING

Ex. Standard Inline handle with 1/4" SQ Coupling and rear plug in black silicone.

RS0003-P-S01

1 BASE CATALOGUE NUMBER- Reference tables

2 PLUG

DESIGNATION	Description
P	Plug (No Cannulation)
None	Cannulation

3 SILICONE COLOR

DESIGNATION	COLOR
-S01	Black*
-S04	Gray
-S09	Blue*

*Standard colors. Other colors are available upon request.
Please provide Pantone® Matching System (PMS) number at time of request.

OTHER OPTIONS INCLUDE:

- Rear Impact Cap
- Integral Drive Shaft
- Custom Handle Styles